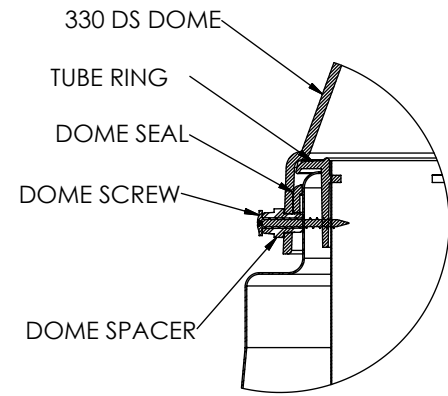


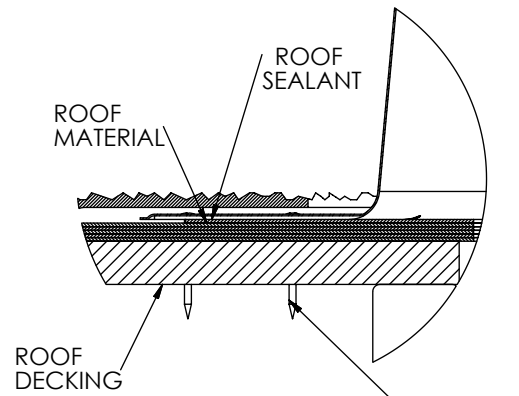
8 7 6 5 4 3 2 1

**SOLATUBE 330 DS-C
(21 IN / 530 MM)
11" SELF FLASHING
HARD CEILING**

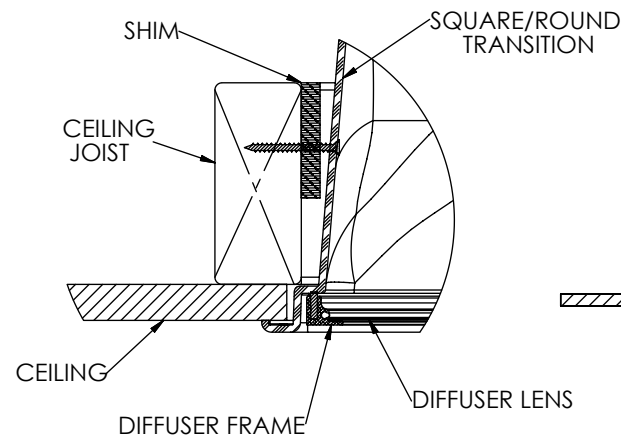
REVISIONS				
ECO	REV.	DESCRIPTION	DATE	INC.
	1	INITIAL RELEASE	7/1/2008	CS



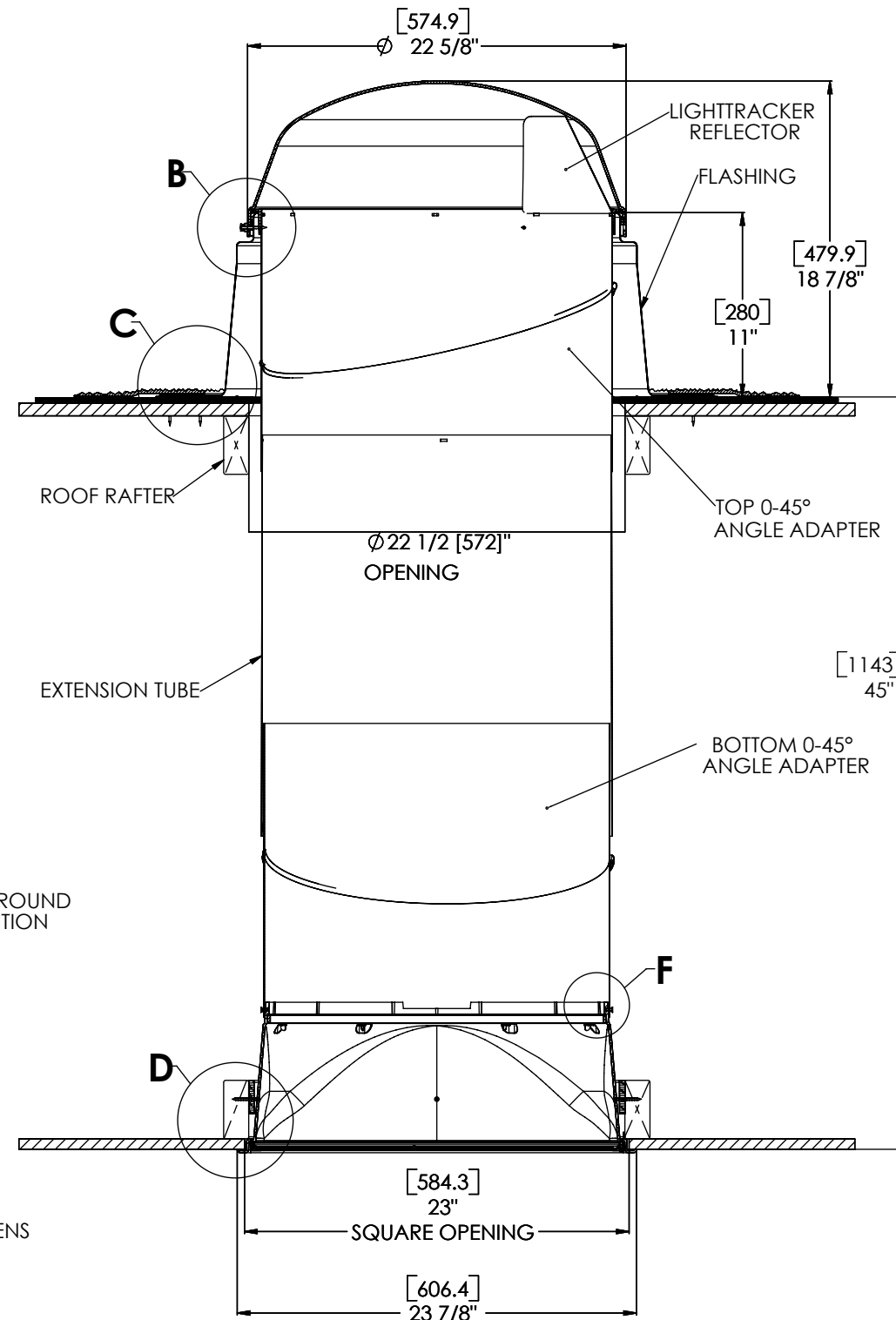
**DETAIL B
SCALE 3 : 1**



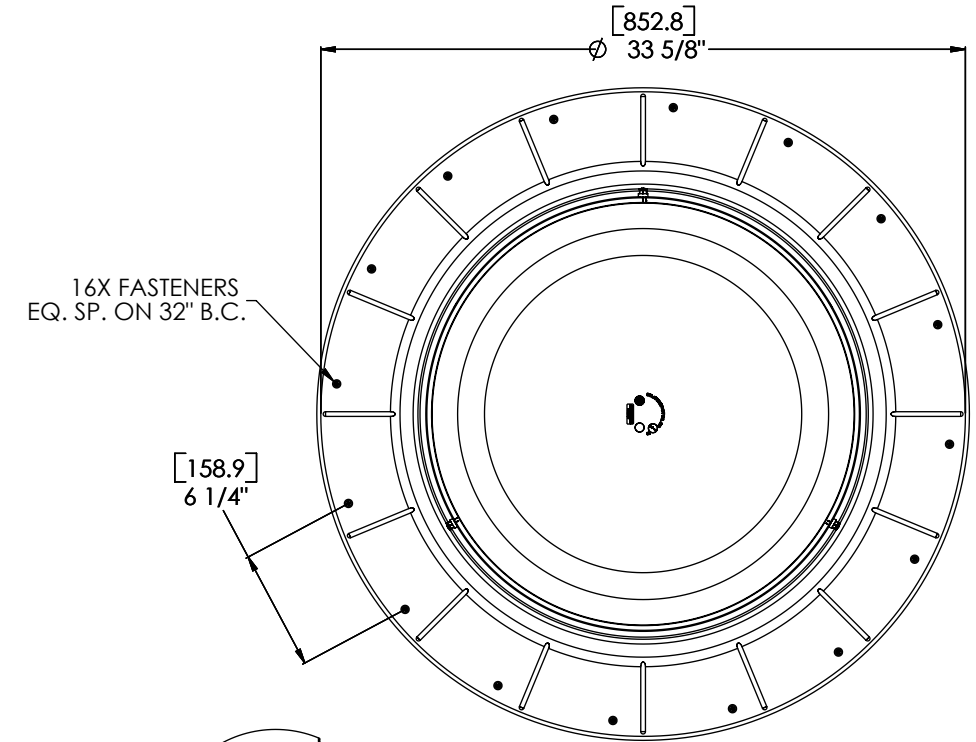
**DETAIL C
SCALE 3 : 1**



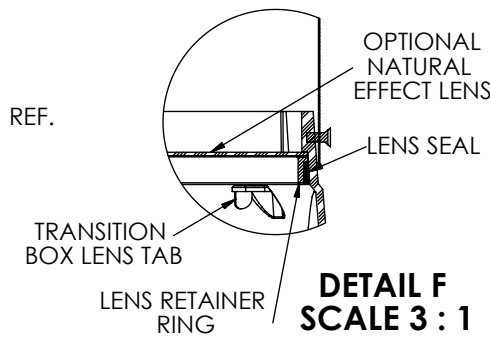
**DETAIL D
SCALE 3 : 1**



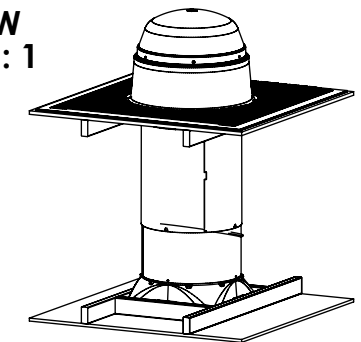
**FULL SECTION
SCALE 1:1**



**TOP VIEW
SCALE 1 : 1**



**DETAIL F
SCALE 3 : 1**



NOTES:

1. STRUCTURAL ELEMENTS (PLYWOOD, RAFTERS, DRYWALL ETC.) BY OTHERS & SHOWN FOR REFERENCE ONLY.
2. ALL TUBE JOINTS & SEAMS TAPED WITH 2" FOIL TAPE (NOT SHOWN).
3. DIMENSIONS IN BRACKETS ARE METRIC UNLESS OTHERWISE SPECIFIED.
4. 6" MIN CLEARANCE SHOULD BE MAINTAINED FROM ALL SOLATUBE COMPONENTS AND OTHER PLENUM COMPONENTS.

UNLESS OTHERWISE SPECIFIED: DIMENSIONS ARE IN INCHES TOLERANCES: ANGULAR: ±0.5° X ± .1 XX ± .02 XXX ± .005		SOLATUBE INTERNATIONAL, INC. COPYRIGHT 2008 WWW.SOLATUBE.COM		 2210 OAK RIDGE WAY VISTA, CALIFORNIA 92081-8341 PH (760) 597-4400	
MATERIAL -	DRAWN BY STEVENS	DATE 7/1/08	TITLE: 330 DS-C SELF FLASHING HARD CEILING		
FINISH -	CHECKED BY -	DATE -	SIZE	DWG. NO. WEB-330-SF-HC	REV 1
DO NOT SCALE DRAWING			SCALE: 1:1	SHEET 1 OF 1	

8 7 6 5 4 3 2 1