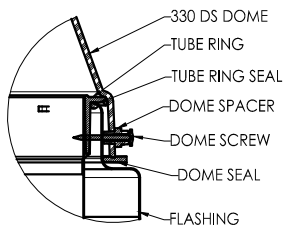
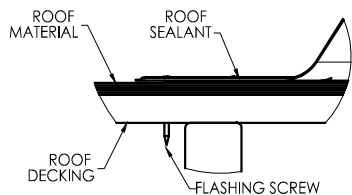


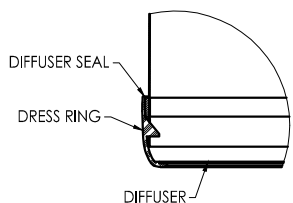
**SOLATUBE 330 DS-O  
(21 IN/530 MM)  
4" SELF FLASHING OPEN CEILING - ANGLE ADAPTER**



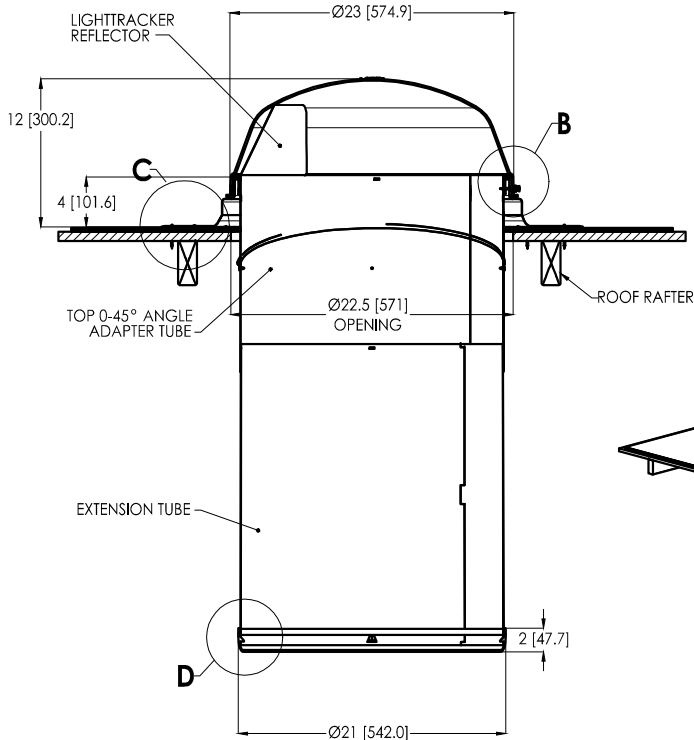
**DETAIL B  
SCALE 3 : 1**



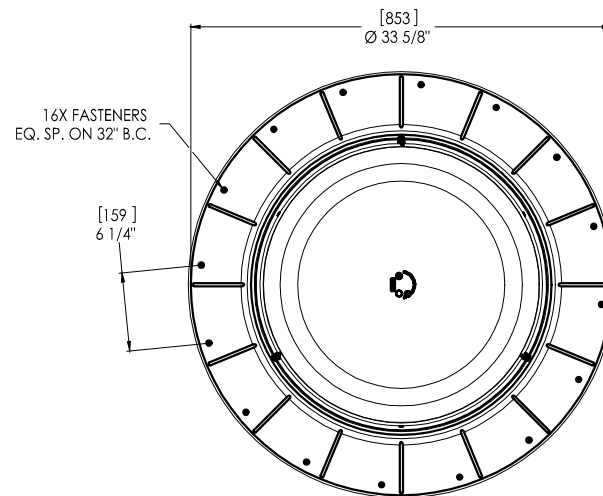
**DETAIL C  
SCALE 3 : 1**



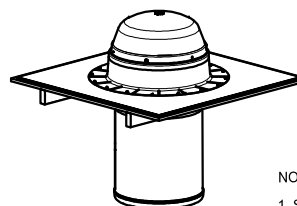
**DETAIL D  
SCALE 3 : 1**



**FULL SECTION  
SCALE 1:1**



**TOP VIEW  
SCALE 1 : 2**



**NOTES:**

1. STRUCTURAL ELEMENTS (PLYWOOD, RAFTERS, DRYWALL ETC.) BY OTHERS & SHOWN FOR REFERENCE ONLY.
2. ALL TUBE JOINTS & SEAMS TAPED WITH 2" FOIL TAPE (NOT SHOWN).
3. DIMENSIONS IN BRACKETS ARE METRIC UNLESS OTHERWISE SPECIFIED.
4. 6" MIN CLEARANCE SHOULD BE MAINTAINED FROM ALL SOLATUBE COMPONENTS AND OTHER PLENUM COMPONENTS.

UNLESS OTHERWISE SPECIFIED: DIMENSIONS ARE IN INCHES TOLERANCES: ANGULAR = ±0.5° X .1 XX .02 XXX .005		SOLATUBE INTERNATIONAL INC. COPYRIGHT 2013 WWW.SOLATUBE.COM		 <small>2125 DOW ROAD WPT WEST PALM BEACH, FL 33411-4814 PHONE 561-4622</small>	
MATERIAL	---	DRAWN BY	STEVEN S	DATE	8/12/13
FINISH	---	CHECKED BY	---	DATE	---
DO NOT SCALE DRAWING		APPROVED BY	---	DATE	---
<b>330 DS (21") SELF-FLASHING OPEN CEILING</b>				SIZE	DWG. NO.
				SCALE: 1:1	REV 1
				1	SHEET 1 OF 1