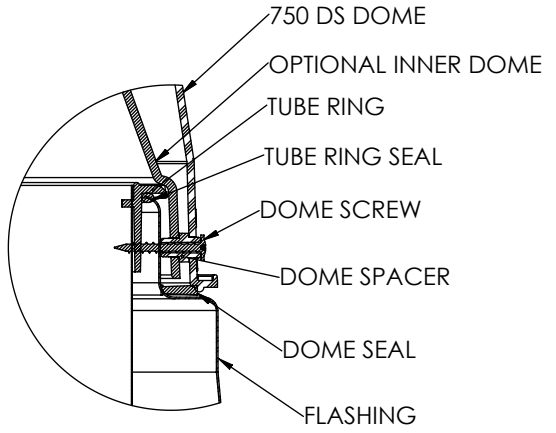
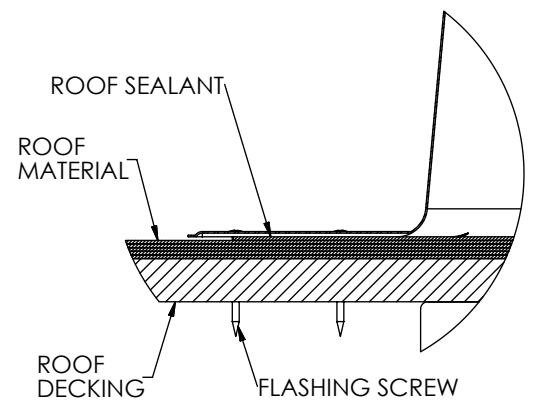


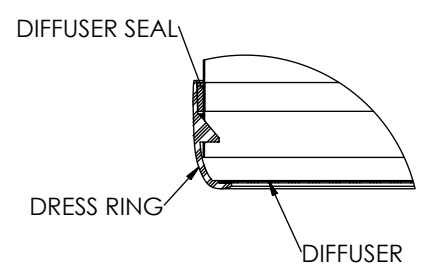
**SOLATUBE 750 DS-O  
(21 IN / 530 MM)  
11" SELF FLASHING  
OPEN CEILING WITH OPTIONAL INNER DOME**



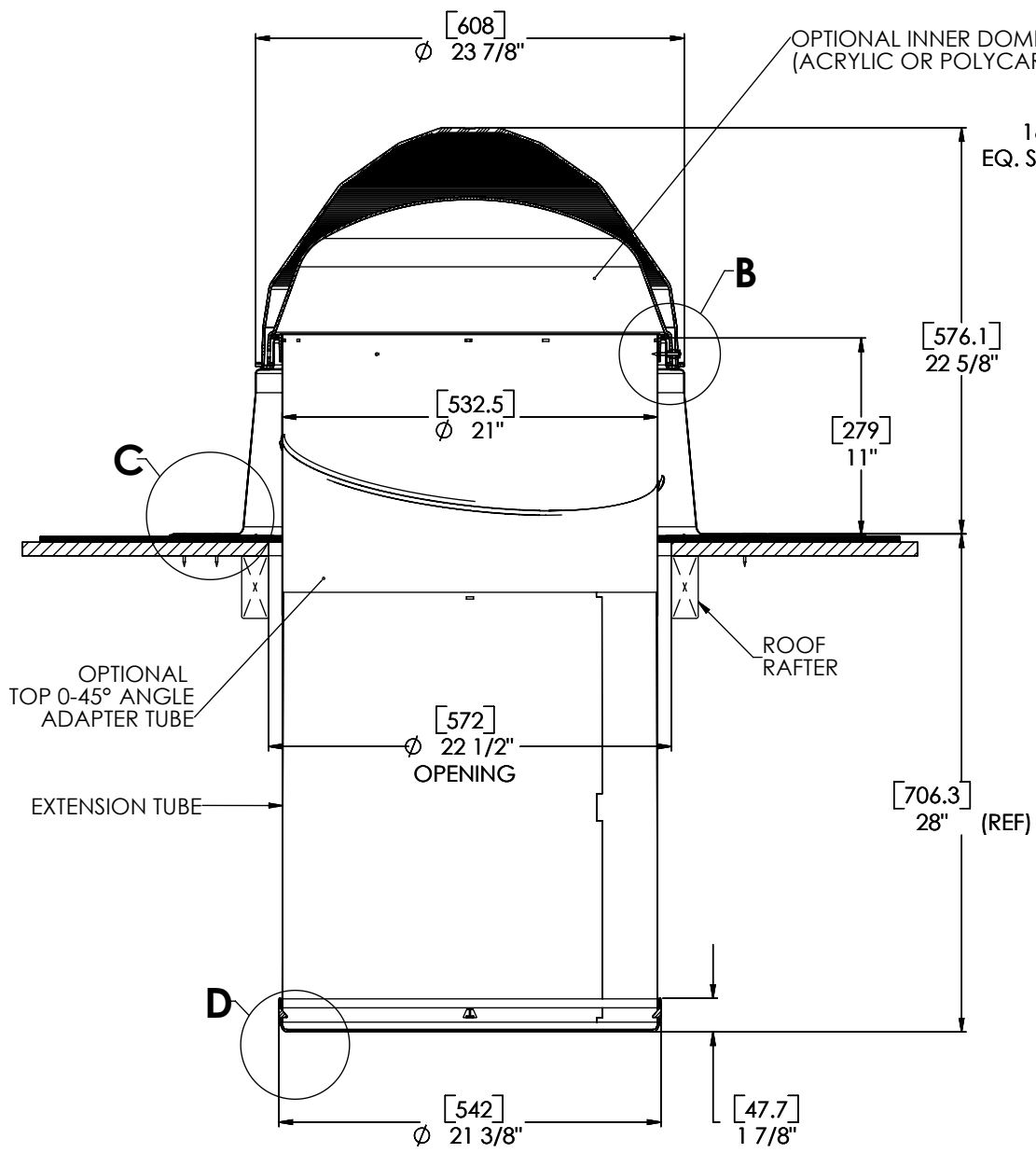
**DETAIL B  
SCALE 3 : 1**



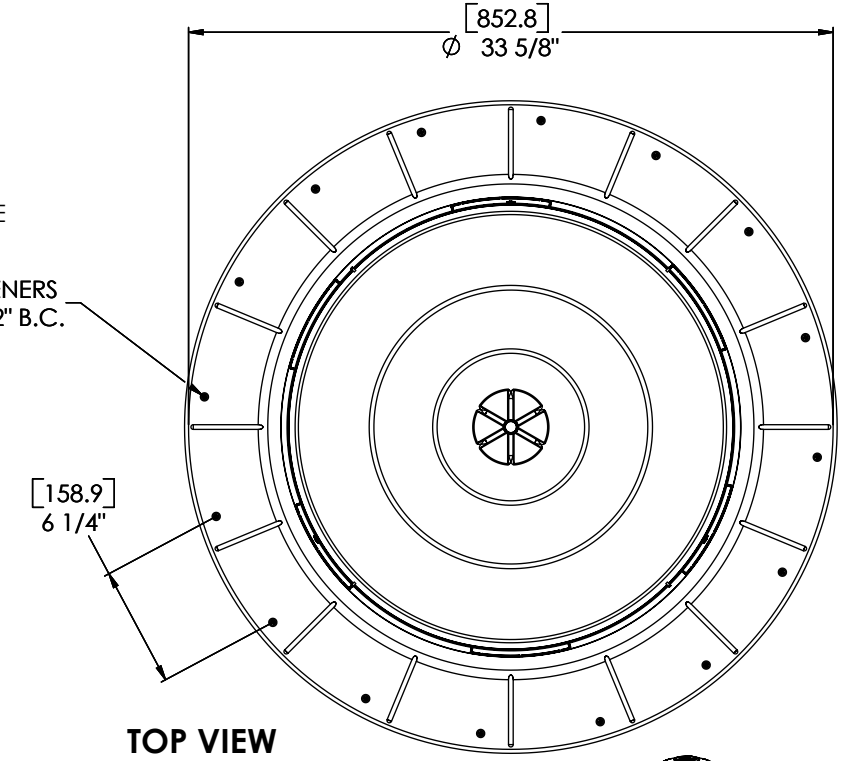
**DETAIL C  
SCALE 3 : 1**



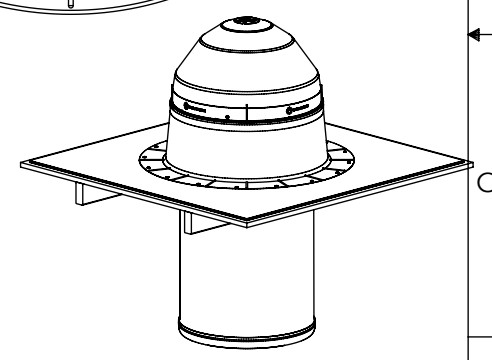
**DETAIL D  
SCALE 3 : 1**




**FULL SECTION  
SCALE 1:1**



**TOP VIEW  
SCALE 1 : 2**



- NOTES:**
1. STRUCTURAL ELEMENTS (PLYWOOD, RAFTERS, DRYWALL ETC.) BY OTHERS & SHOWN FOR REFERENCE ONLY.
  2. ALL TUBE JOINTS & SEAMS TAPED WITH 2" FOIL TAPE (NOT SHOWN).
  3. DIMENSIONS IN BRACKETS ARE METRIC UNLESS OTHERWISE SPECIFIED.
  4. 6" MIN CLEARANCE SHOULD BE MAINTAINED FROM ALL SOLATUBE COMPONENTS AND OTHER PLENUM COMPONENTS.

|  |              |  |                |  |                 |
|--|--------------|--|----------------|--|-----------------|
| UNLESS OTHERWISE SPECIFIED:  |              | SOLATUBE INTERNATIONAL, INC.<br>COPYRIGHT 2011<br>WWW.SOLATUBE.COM |                | <br>2220 OAK RIDGE WAY<br>VISTA, CALIFORNIA 92081-8341<br>PH (760) 597-1400 |                 |
| DIMENSIONS ARE IN INCHES<br>TOLERANCES:<br>ANGULAR: ±0.5°<br>.X ± .1<br>.XX ± .02<br>.XXX ± .005 |              | DRAWN BY<br>STEVENS  | DATE<br>7/1/08 | TITLE:<br><b>750 DS-O SELF FLASHING<br/>OPEN CEILING</b>   |                 |
| MATERIAL<br>--   | FINISH<br>-- | CHECKED BY<br>--   | DATE<br>--     | SIZE<br>DWG. NO.<br><b>WEB-750-SF-OC</b>   | REV<br><b>2</b> |
| DO NOT SCALE DRAWING   |              | APPROVED BY<br>--  | DATE<br>--     | SCALE: 1:1   | SHEET 1 OF 1    |