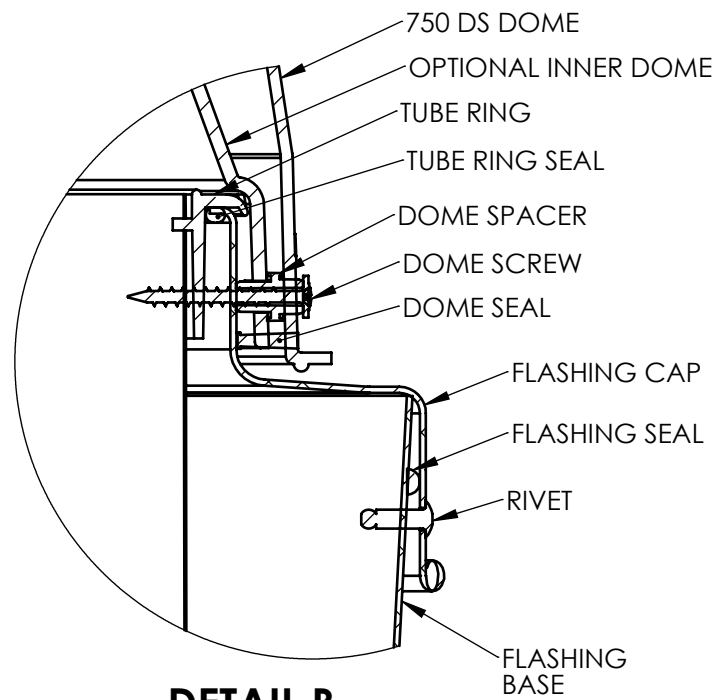
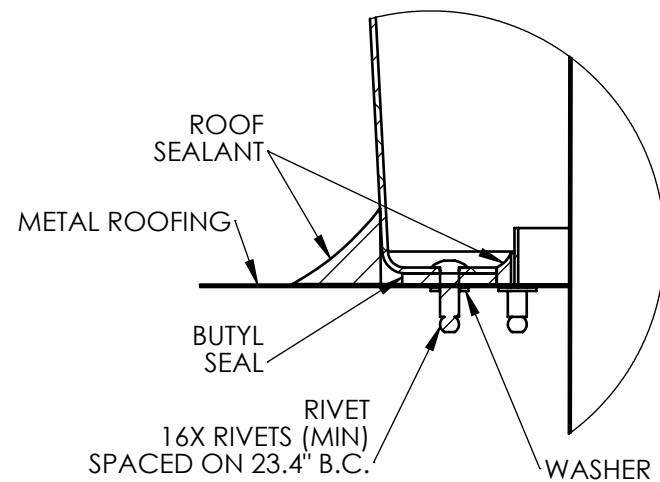


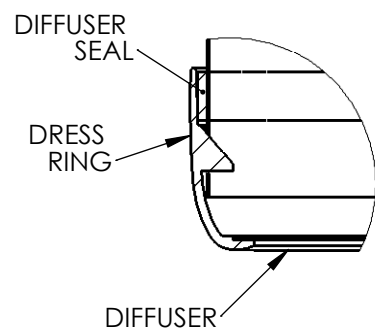
**SOLATUBE 750 DS-O  
(21 IN/530 MM)  
METAL ROOF FLASHING OPEN CEILING  
EXTENSION TUBE ONLY  
OPTIONAL INNER DOME**



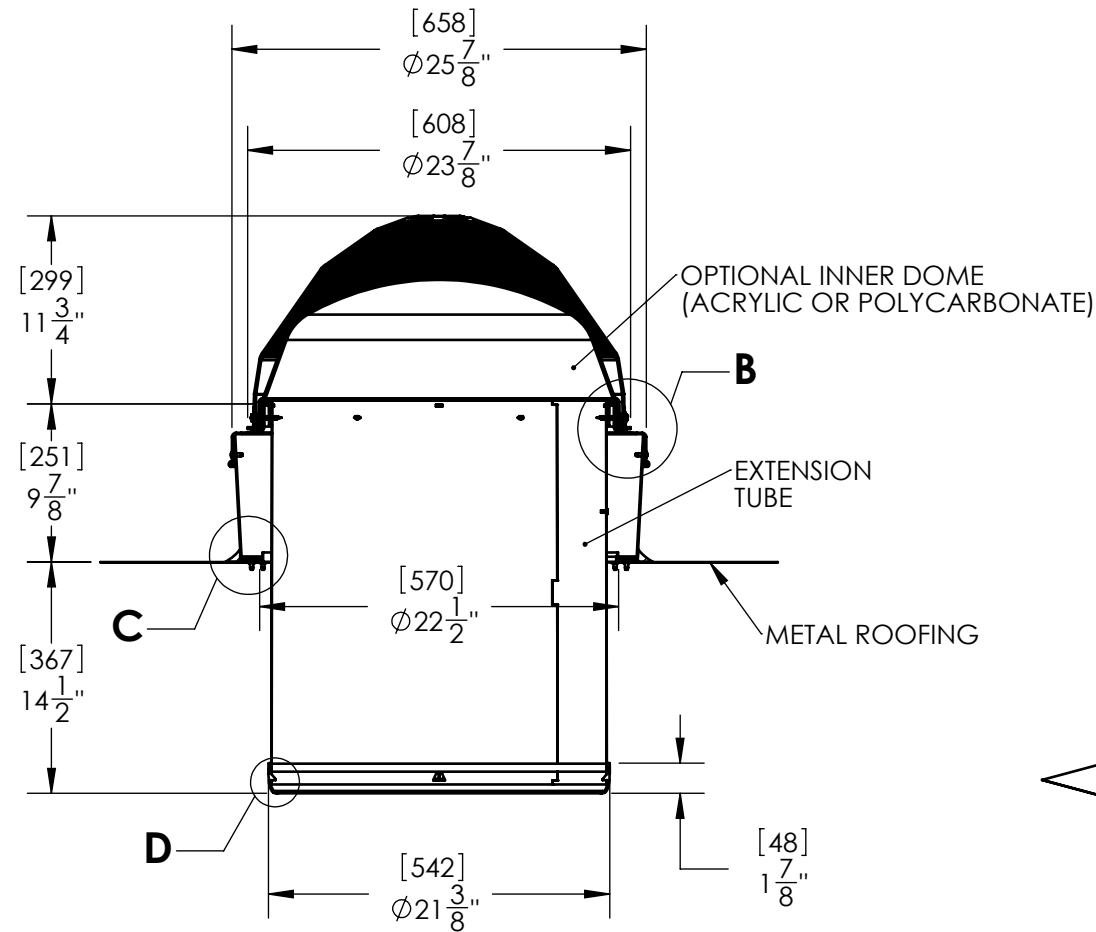
**DETAIL B  
SCALE 1 : 6**



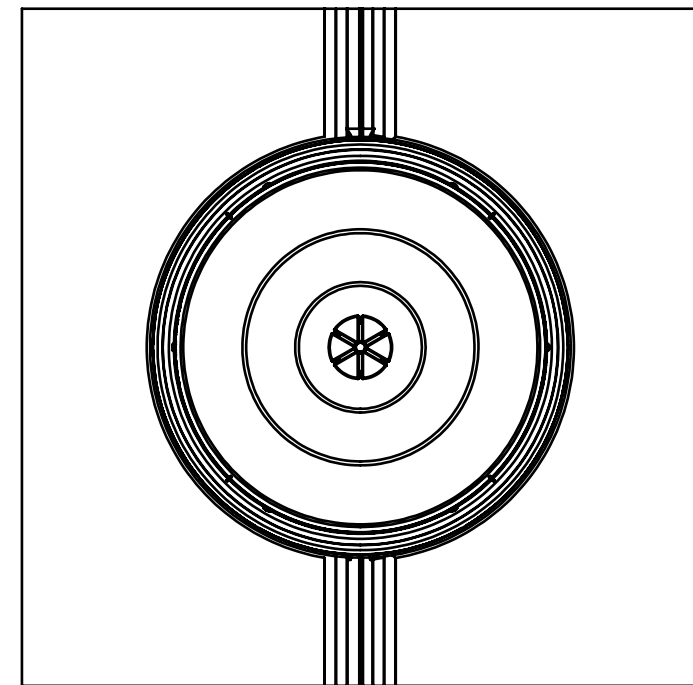
**DETAIL C  
SCALE 1 : 6**



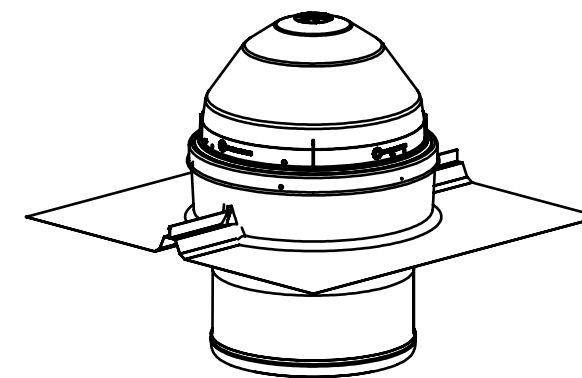
**DETAIL D  
SCALE 1 : 6**



**FULL SECTION**



**TOP VIEW**



- NOTES:  
 1. STRUCTURAL ELEMENTS (ROOFING, RAFTERS, DRYWALL, ETC) BY OTHERS & SHOWN FOR REFERENCE ONLY  
 2. ALL TUBE JOINTS & SEAMS TAPED WITH 2" FOIL TAPE (NOT SHOWN)  
 3. MINIMUM ROOF SLOPE 2.4 DEGREES

<b>UNLESS OTHERWISE SPECIFIED:</b>		<b>SOLATUBE INTERNATIONAL, INC.</b> COPYRIGHT 2010  <b>WWW.SOLATUBE.COM</b>		<b>SOLATUBE</b> 2210 OAK RIDGE WAY VISTA, CALIFORNIA 92081-8341 PH (760) 597-4400	
TOLERANCES ANGULAR: $\pm 0.5^\circ$  INCH $.X \pm .10$					
MATERIAL	---	DRAWN BY	DATE	<b>TITLE:</b> <b>750 DS-O METAL ROOF FLASHING / OPEN CEILING</b>	
FINISH	---	CHECKED BY	DATE		
<b>DO NOT SCALE DRAWING</b>		APPROVED BY	DATE		
				<b>SIZE</b> <b>B</b>	DWG. NO. <b>WEB-750-FSM-OC-NA</b>
				UNITS: INCH [MM]	SCALE: 1:12
				SHEET 1 OF 1	REV <b>3</b>