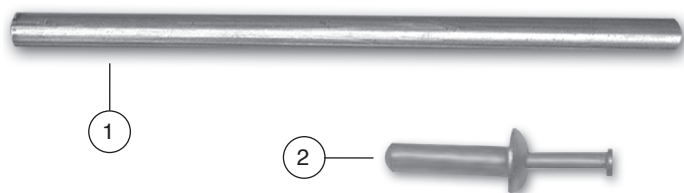


# Solatube® SolaMaster® Series Security Bar Installation Instructions

Please read all warnings and instructions before beginning installation.



## PARTS LIST

	Quantity
1. Security Bar	(1)
2. Wedge Anchor	(2)

**Required Tools:**

1. Electric Drill	2. 7/16" Drill Bit
3. Hammer	4. Silicone Sealant

## OVERVIEW

These instructions address the mounting of the Security Bar to the flashing for the Solatube 330 DS or Solatube 750 DS (21 in/530 mm Daylighting System). Follow all warning and safety information in the SolaMaster® Series installation instructions.

**Step 1.** From inside of the top tube make a mark one inch below the top of the tube. (**Diagram A**).

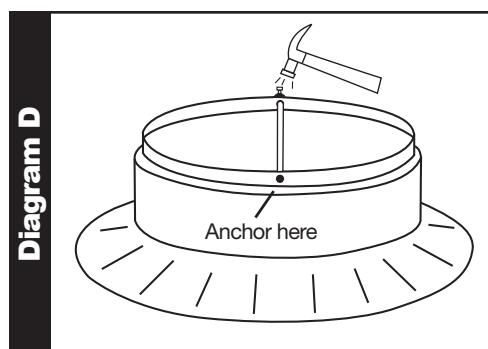
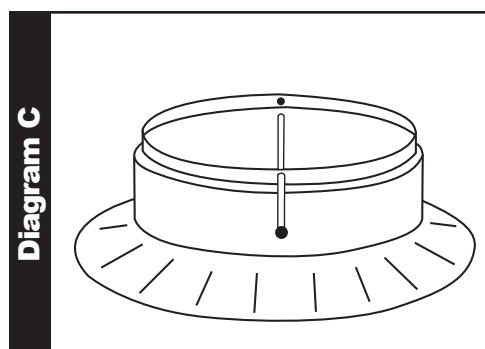
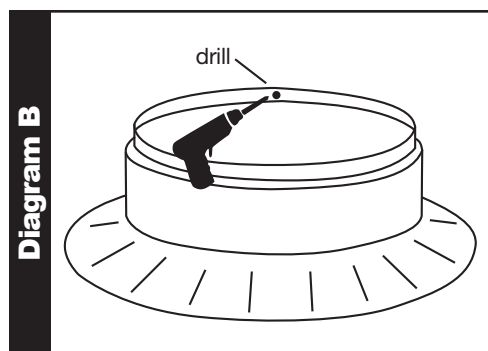
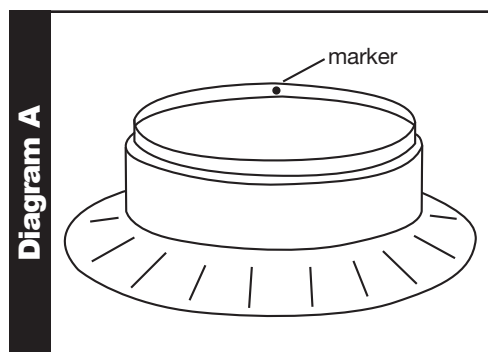
**Step 2.** Drill 7/16 in (175 mm) hole through the top tube, tube ring and flashing turret. (**Diagram B**).

**Step 3.** Insert one wedge anchor into end of Security Bar. Being careful not to damage free end of bar, stand bar on solid surface and hammer wedge pin of anchor in flush.

**Step 4.** Slide the free end of the Security Bar through the hole, passing through the center of the flashing until you hit the opposite side of the tube. Make a mark where the end of the bar is one inch below the top of the tube (**Diagram C**). Remove the bar, and proceed by drilling another 7/16 in hole - where marked-through the top tube, tube ring and flashing turret.

**Step 5.** Slide Security Bar back through hole. Place a solid, heavy object against head of anchor. Insert remaining anchor into free end of Security Bar and hammer wedge pin of anchor in flush (**Diagram D**).

**Step 6.** Seal anchor head to flashing with silicone sealant (not included). Return to standard installation instructions to complete install.



For the most current Installation Instructions, please visit <http://solatube.com/instructions>