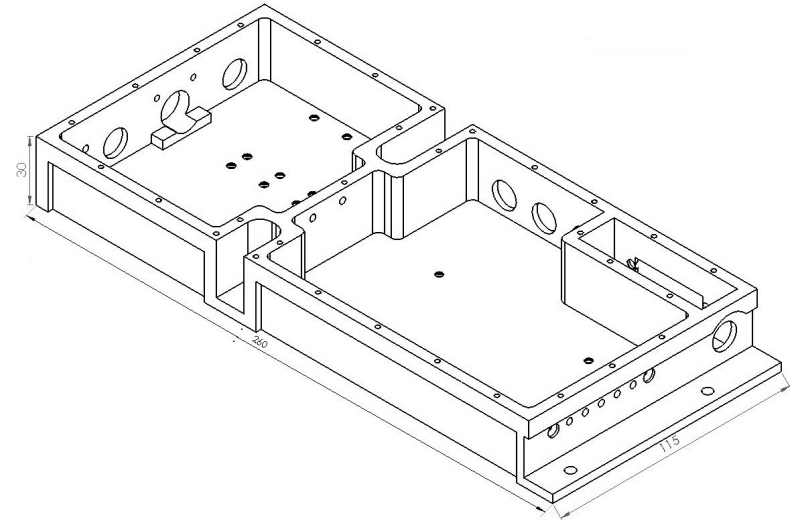
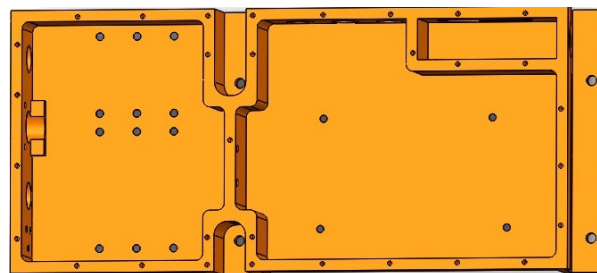
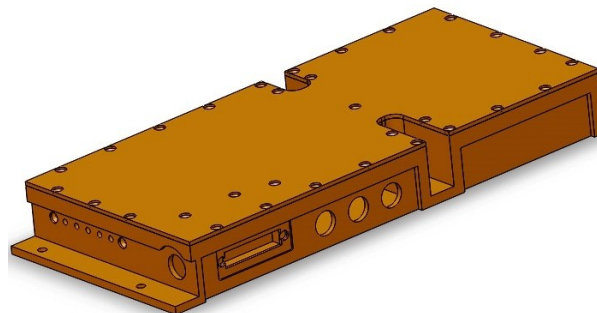


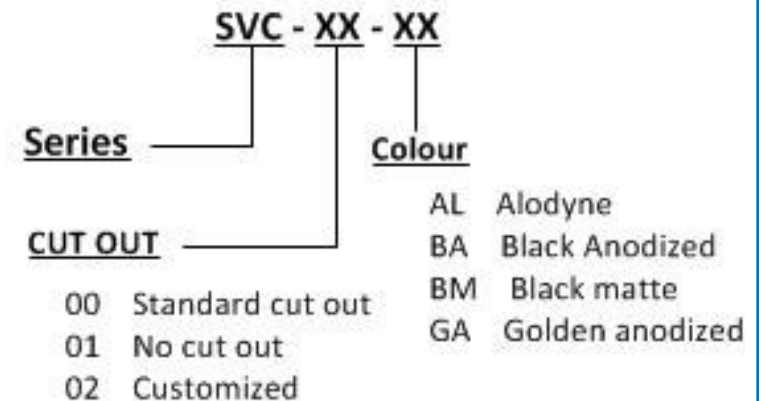
# MULTI-PURPOSE RUGGED CONDUCTIVE ALUMINIUM ENCLOSURES

These lightweight enclosures provide excellent screening against EMI/RFI and therefore provide ideal housing for electronic components and circuits

- Rugged electronic instrument enclosures
- Ideally suited for mounting printed circuit boards
- Ideal for production and prototype applications
- Heavy duty thick wall design with an average wall thickness of 3.0mm
- Countersunk lid secured with M2.5 x 6 countersunk machine screws
- Perfect for applications where repetitive assembly and disassembly are required
- Anodized/allodyned aluminium body



## Product Ordering Information



**SERVICES**  
efficient solutions

Ph : 92 51 5731554, [Info@servicespak.com](mailto:Info@servicespak.com), [www.servicespak.com](http://www.servicespak.com)