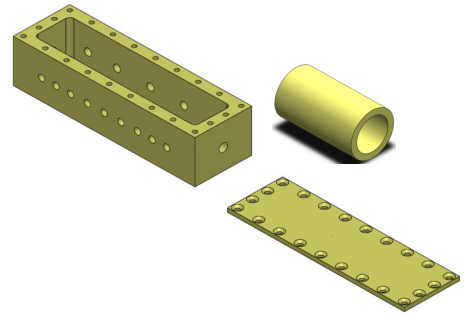
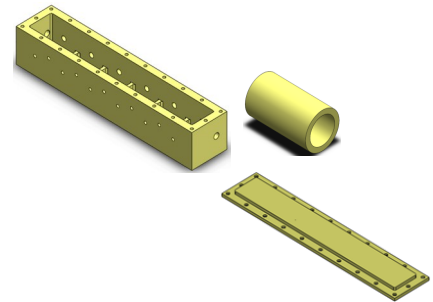


# BP FILTER BOX

- BP Filter boxes/ cavities are designed by using specialized techniques to satisfy our customers' unique requirements.
- To reduce weight, filter cavities are machined from lightweight aluminum alloys.
- Unique resonator designs reduce overall size and increase peak power handling.
- Using silver or gold plating on resonators and cavity surfaces, reduces loss than other less expensive plating methods.
- For RF input and output SMA connector housing is provided with 50 ohm matched impedance.



**Model No.** BPF-05-001-S  
**Size mm (L \* W \* H).** 87.9 \* 23.4 \* 27.4  
**Material.** Aluminum alloy AA-6061  
**Surface treatment.** Silver plating

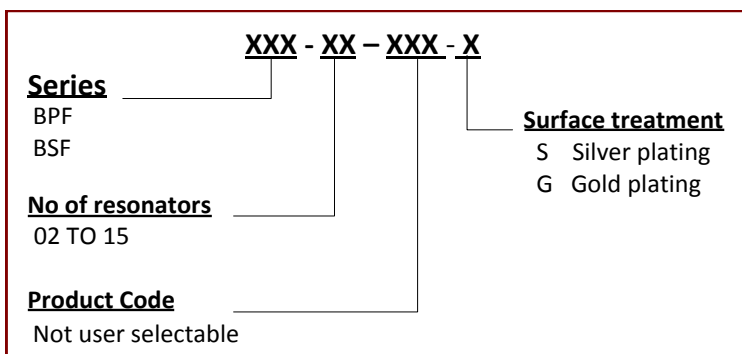


**Model No.** BPF-06-002-S  
**Size mm (L \* W \* H).** 140 \* 27 \* 28  
**Material.** Aluminum alloy AA-6061  
**Surface treatment.** Silver plating



**Model No.** BSF-07-003-G  
**Size mm (L \* W \* H).** 190 \* 50 \* 40  
**Material.** Aluminum alloy AA-6061  
**Surface treatment.** Gold plating

## PRODUCT SELECTION GUIDE



House No 200, Street No. 6  
 Phase-IV, Bahria Town Islamabad Pakistan  
 Ph: +92 51 5731554  
[www.servicespak.com](http://www.servicespak.com)    [info@servicespak.com](mailto:info@servicespak.com)