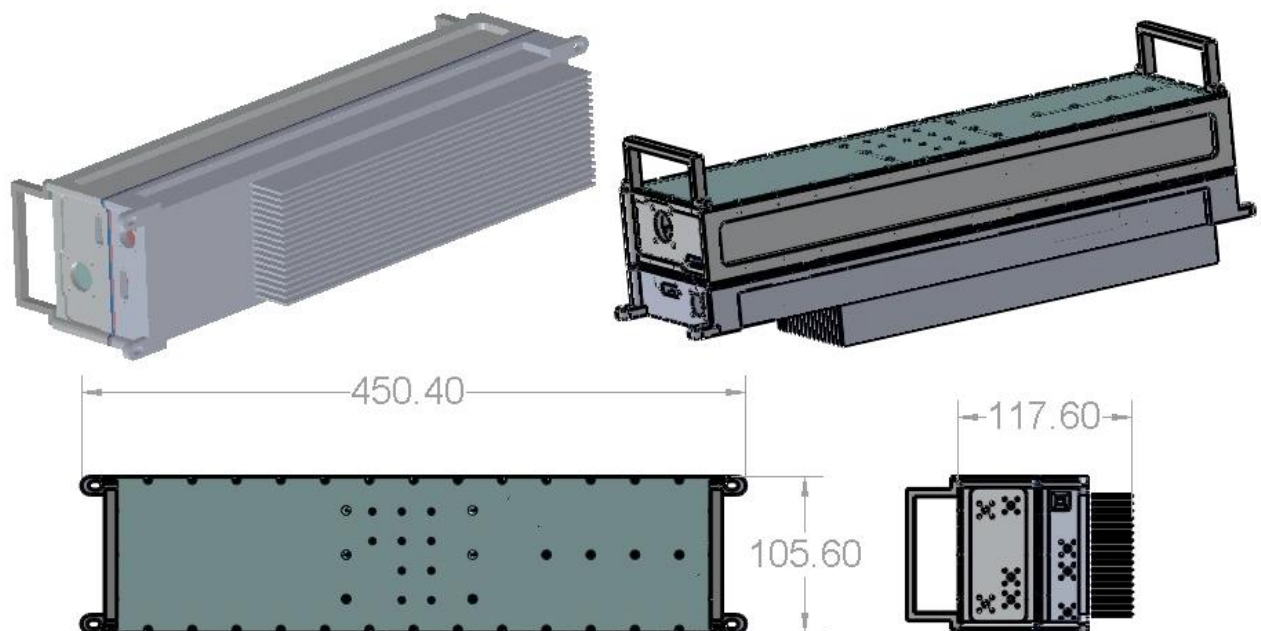


X16 SERIES ENCLOSURES / ALUMINUM BOXES

- X16 Series Aluminum boxes/ Enclosures can be used in a wide variety of different RF applications, such as mobile devices, wireless connectivity, network infrastructure and defense / aerospace.
- The enclosure design provides thermal relief, mechanical support, and improved EMI/EMC performance.
- These enclosures are milled from solid stock, which makes them incredibly durable, and allows a very high level of protection.
- Powder coat finish / alodining, screen printing / direct digital printing, and engraving are available to enhance functionality and aesthetics (**Note:** While ordering mention the required surface treatment with model number).

Product View



(Dimensions are in mm)

Model No. X16-4-4-H30B.

Material: Aluminum Alloy AA-6061.

(This enclosure has three cavities, four covers and two handles)



House No 200, Street No. 6

Phase-IV, Bahria Town Islamabad Pakistan

Ph: +92 51 5731554

www.servicespak.com

info@servicespak.com