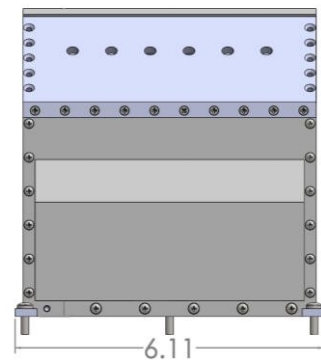
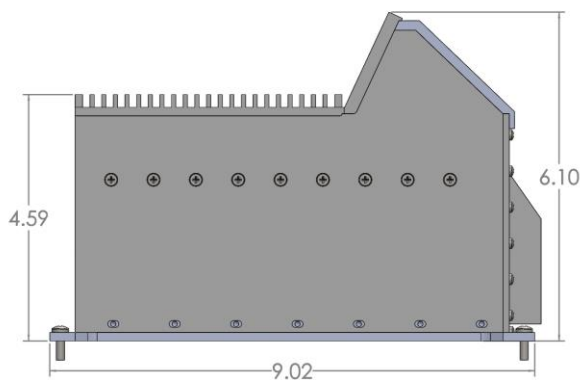
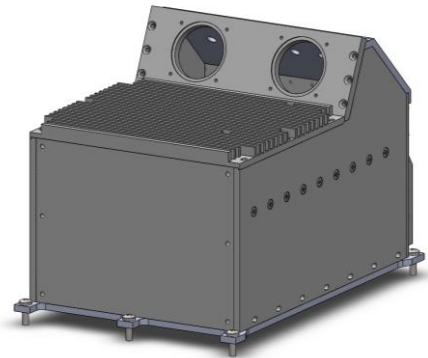
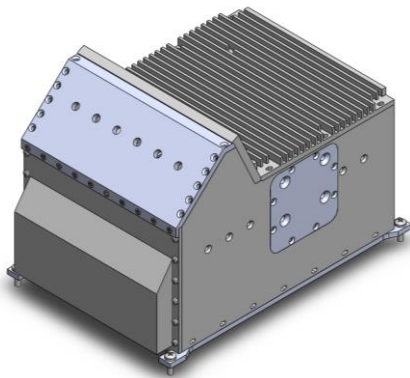


X18 SERIES ENCLOSURES / ALUMINUM BOXES

- X18 Series enclosures / Aluminum boxes can be used in a variety of different digital application , such as mobile data loggers , communication systems, network infrastructure and defense / aerospace.
- The enclosure design provides thermal relief, mechanical support and improved EMI / EMC performance.
- These enclosures are assembled from solid stock, which makes them incredibly durable and allows a very high level of protection.
- Powder coat finish / alodining, screen printing / direct digital printing and engraving are available to enhance functionality and aesthetics (Note: while ordering mention required surface treatment with model number)

Product View



MODEL NO. X18-6-4-S20A.
MATERIAL: Aluminum Alloy 7075-T-6



House No. 200, Street No. 6
Phase-IV, Bahria Town, Islamabad. Pakistan.

Ph: +92 51 5731554,

www.servicespak.com

info@servicespak.com