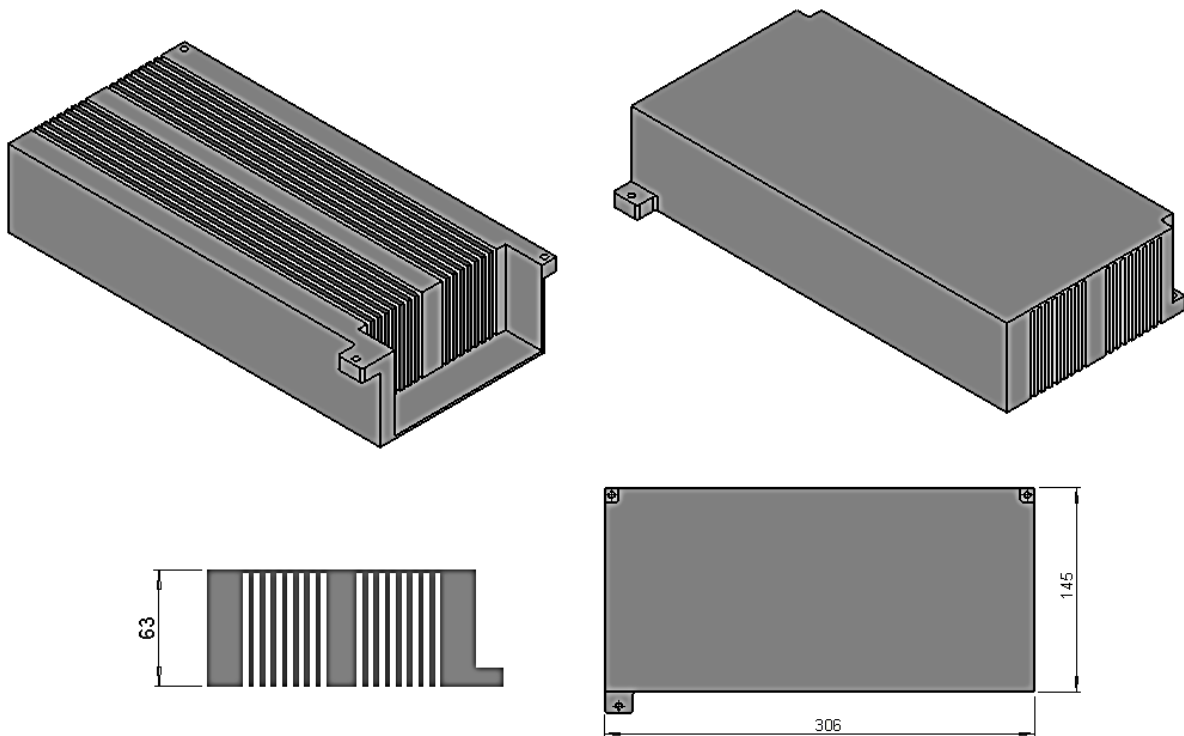


HEAT SINK – Part No. HS-2-14

- The Aluminum Heat Sink can be used in applications where efficient heat transfer is required from heat source to the environment.
- Powder coat finish / alodining, screen printing / direct digital printing, and engraving are available (**Note:** While ordering mention the required surface treatment).

Product View



(Dimensions are in mm)

Part No. HS-2-14.

Material: Aluminum Alloy AA-6061.

Dimensions (LxWxH): 306 x 145 x 63 mm

Surface Treatment: Nil



House No 200, Street No. 6

Phase-IV, Bahria Town Islamabad Pakistan

Ph: +92 51 5731554

www.servicespak.com

info@servicespak.com