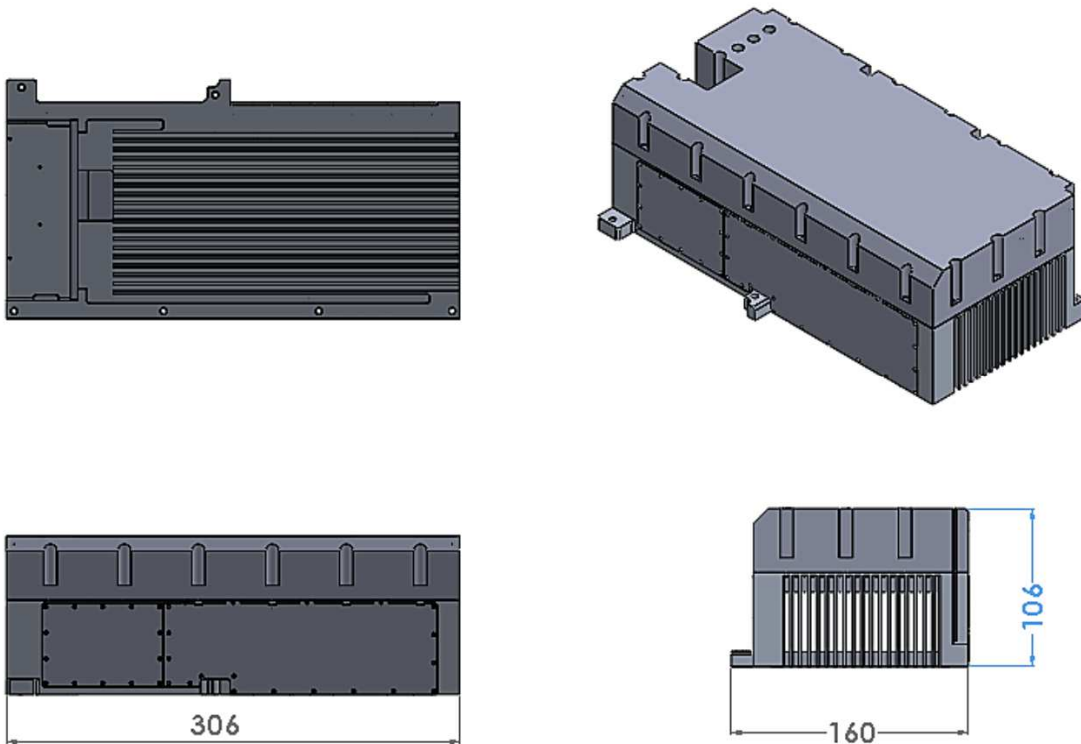


X12 SERIES FLAT PLATE HEATSINK

- X12 Series Flat Plate Heat sink can be used in a wide variety of different RF applications where efficient thermal management is required such as High Power Amplifiers etc.
- These heatsinks are milled from solid stock, which makes them incredibly durable, and allows a very high level of system performance.
- Powder coat finish / alodining, screen printing / direct digital printing, and engraving are available to enhance functionality and aesthetics.

Note: While ordering mention the required surface treatment with model number.

PRODUCT VIEW



(Dimensions are in mm)

Model No. X12-6-4-F19A.

Material: Aluminum Alloy AA-6061.

(This heat sink has six covers and two supports.)



House No 200, Street No. 6

Phase-IV, Bahria Town Islamabad Pakistan

www.servicespak.com

info@servicespak.com